

Yale BCYF Beam Clamp

Yale®

- 1, 2, 3 & 5 ton capacities
- Provides versatile rigging or hoisting points
- Quick and easy to install — requires no tools
- Portable — can be easily removed for use in different locations
- Adjusts to a wide range of flange widths
- Special design applies load away from flange edge to reduce flange stress



The Yale BCYF Beam Clamp is designed for a wide variety of uses whenever you need a hoisting or rigging point fast!

The threaded adjustment mechanism easily attaches to a wide range of flange widths to provide a safe and secure grip.

The suspension bar is built-in for convenience and to keep headroom requirements to a minimum. All wearing parts are quickly and easily replaced. Each and every unit is tested and certified before we ship it so you can use it with confidence.

Wide Variety of Applications:



Hoisting



Rigging Anchor Point

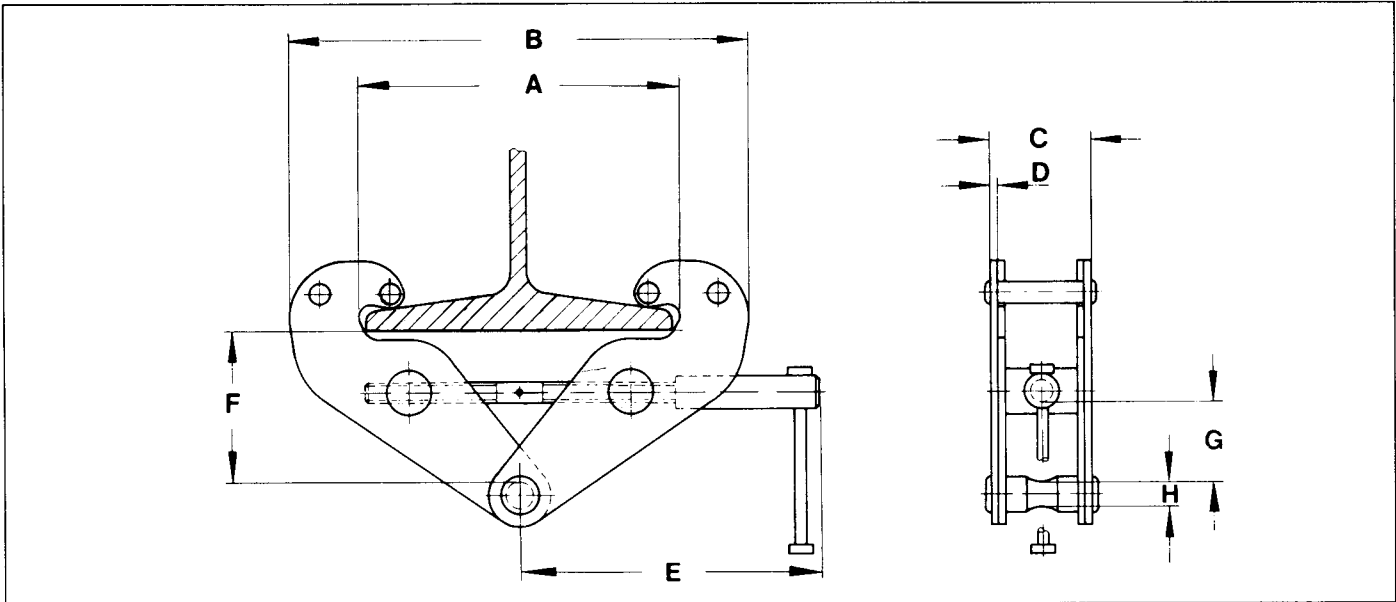


Lifting



Temporary Holding

Yale BCYF Beam Clamp Dimensional Information



All dimensions in inches unless otherwise indicated.

Cap. tons	Model No.	Flange Width		Net Wt. (Lbs.)	A	B		C	D	E	F		G	H
		Min.	Max.			Max.	Min.				Max.	Max.		
1	BCYF-1	3.0	9.0	8.8	10.6	6.9	14.4	2.9	0.2	8.4	5.4	2.9	1.2	.80
2	BCYF-2	3.0	9.0	13.2	10.6	7.3	15.0	2.9	0.2	8.4	5.4	2.9	1.2	.80
3	BCYF-3	3.9	9.0	17.6	11.6	8.7	16.7	4.0	0.3	10.0	6.3	4.1	2.4	.87
5	BCYF-5	3.9	10.2	22.0	12.6	9.8	18.7	4.0	0.3	10.0	6.3	3.5	1.8	1.10

Caution

Do not use Yale hoists or trolleys for passenger elevator applications.

There is a Yale hoist for every lifting job.

There is a Yale hoist to solve your toughest material handling problem. Select from:

- Hand hoists & trolleys to 50 tons;
- Ratchet lever hoists to 15 tons;
- Electric chain hoists to 3 tons;
- Air chain hoists to 6 tons;
- Air wire rope hoists to 35 tons;
- Electric wire rope hoists to 35 tons.

Yale variety lets you match your hoist to the job for maximum dollar value. Hoists in the Yale line are quality engineered and performance tested before they are shipped to you. That's why the Yale name has stood for quality for over 100 years. Look up to Yale for excellence in hoisting equipment.



WARNING: The equipment shown in this manual is intended for industrial use only and should not be used to lift, support, or otherwise transport people, or to suspend loads over people.

Yale[®] HOISTS



414 West Broadway Avenue
P.O. Box 769
Muskegon, MI 49443-0769

Customer Service: **Phone** (800) 742-9269
Fax (800) 742-9270